

THE UPSON-WALTON COMPANY

P.O. Box 205, Muncy, PA 17756-0205
 Phone (570) 649-5188 • (800) 221-8143
 Over 130 Years Serving the Wire Rope Industry

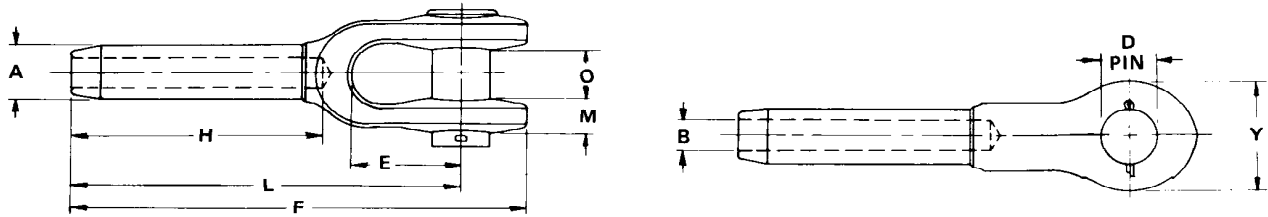
Machining Dimensions for Non-Standard Items Open Swage Socket

Customer Name: _____

Phone: _____

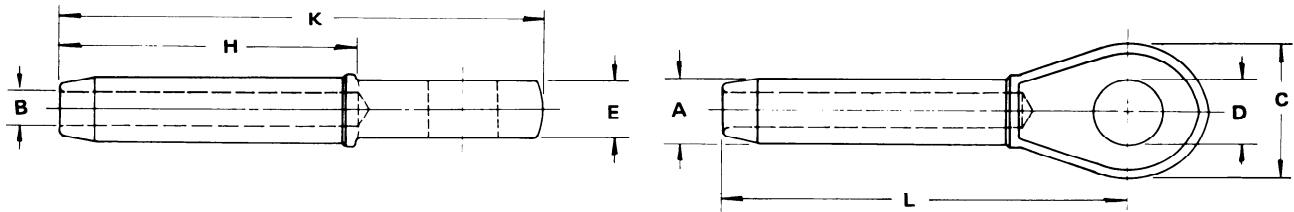
Contact Name: _____

Fax: _____

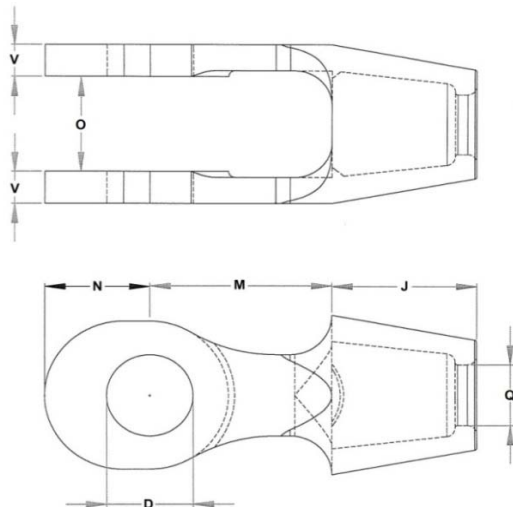


| Rope Dia. | A | B | D | Pin Length | E | F | H | L | M | O | Y |
|-----------|---|---|---|------------|---|---|---|---|---|---|---|
| | | | | | | | | | | | |

Closed Swage Socket



| Rope Dia. | A | B | C | D | E | H | K | L |
|-----------|---|---|---|---|---|---|---|---|
| | | | | | | | | |



Muncy™ Spelter Sockets

| Rope Dia. | |
|-----------|--|
| D | |
| J | |
| M | |
| N | |
| O | |
| Q | |
| V | |

Fill in the blanks and fax to (570) 649-5850 for a quick quotation.

